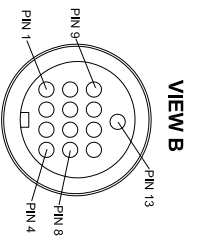
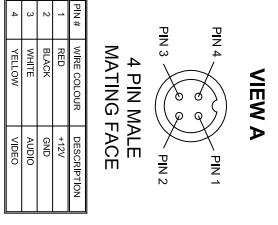


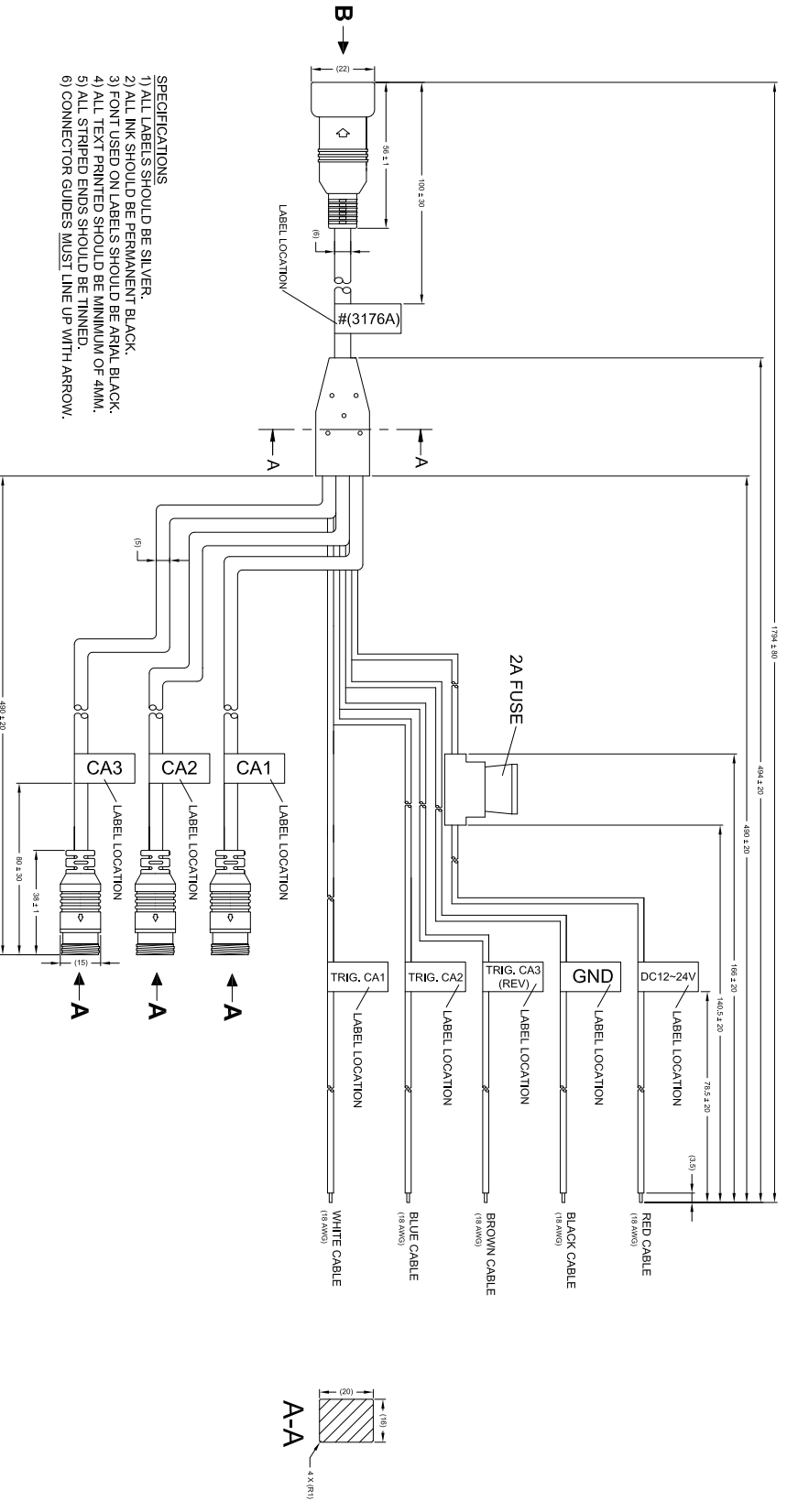
Rev/No	Revision note	Date	Signature/Checked
1	LABEL DETAIL CORRECTED	15/09/2010	MJB DK
2	CAMERA CONNECTION LENGTH & DIMENSION REVISED	16/03/2011	AL JN



PIN #	WIRE COLOUR	DESCRIPTION
1	RED	+12V
2	BROWN	TRIGGER 3
3	BLUE	TRIGGER 2
4	PALE BLUE	TRIGGER 1
5	PALE RED	CA1 +12V OUT
6	PALE RED	CA1 +12V OUT
7	GREEN	CA1 VIDEO
8	YELLOW	CA1 VIDEO
9	PALE GREEN	CA2 +12V OUT
10	WHITE	CA2 VIDEO
11	BLACK	CA1 +12V OUT
12	PALE BLUE	CA1 VIDEO
13	ORANGE	CA1 VIDEO
14	BLACK	GROUND



PIN #	WIRE COLOUR	DESCRIPTION
1	RED	+12V
2	BLACK	GND
3	WHITE	AUDIO
4	YELLOW	VIDEO



- SPECIFICATIONS**
- 1) ALL LABELS SHOULD BE SILVER.
 - 2) ALL INK SHOULD BE PERMANENT BLACK.
 - 3) FONT USED ON LABELS SHOULD BE ARIAL BLACK.
 - 4) ALL TEXT PRINTED SHOULD BE MINIMUM OF 4MM.
 - 5) ALL STRIPPED ENDS SHOULD BE TINNED.
 - 6) CONNECTOR GUIDES MUST LINE UP WITH ARROW.

- NOTES:**
1. CABLE TO BE HELD NEATLY TOGETHER BY TWIST TIE.
 2. DIMENSIONS IN MM.

PROPRIETARY NOTICE
 THIS DESIGN AND TECHNICAL INFORMATION APPEARING ON THIS DRAWING IS THE PROPERTY OF BRIGADE ELECTRONICS PLC, AND IS DISCLOSED IN CONFIDENCE. IT IS NOT TO BE COPIED, REPRODUCED, REVEALED TO OR APPROPRIATE BY OTHERS, EITHER IN WHOLE OR IN PART, WITHOUT THE EXPRESS WRITTEN CONSENT OF BRIGADE ELECTRONICS PLC.

Item#	Quantity	Title/Name, designation, material, dimension etc	Article No./Reference
M00187		Designed by ALAM	
		Checked by ALAM	
		Approved by - date	
		File name	
		Date	
		Edition	
		Scale	
		Sheet	
		Revision	

ASSEMBLY PLANT REF: #165

BRIGADE ELECTRONICS

VBV-7XDDM-CA (#3176A)

BE-001080-02-10

A

1/1